

EST . 1958

RESIGLAS  
Storage



non-contractual pictures

### Accessories:

- Our tanks are supplied complete with:-
- Manhole and removable cover with fixed brass bolt & wing nut
- Air Vent
- Inlet : Float valve 1/2" (12.5mm), with external BSP thread
- Outlet : 1" (25mm), Brass insert with internal BSP thread
- Fixing device

**Color: White externally and dark grey internally**

**10 YEARS WARRANTY**

## FIBREGLASS WATER TANK

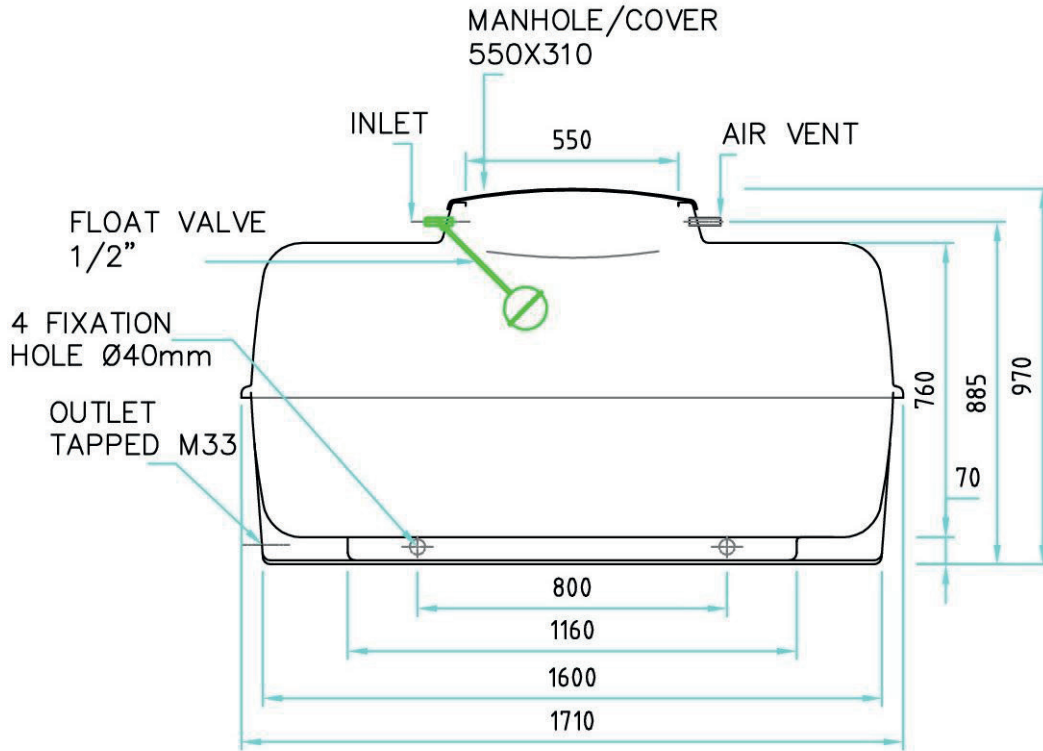
**730 LTS**  
**Model A**

**Working Capacity:** 730 Lts / 160 Gallons  
**Weight:** 34 Kg  
**Height:** 970 mm  
**Width:** 815 mm  
**Length:** 1710 mm

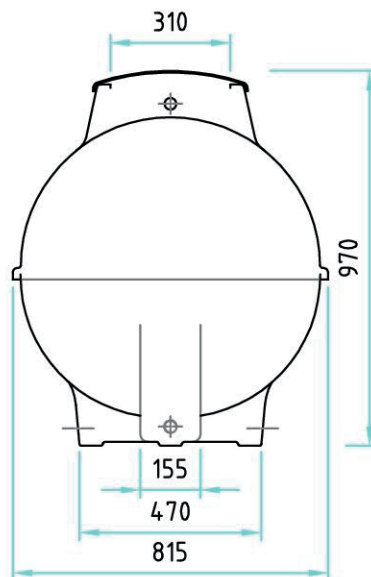
MADE IN MAURITIUS

For more info, visit us online...

# RESIGLAS Storage



FRONT VIEW



SIDE VIEW

SCALE: 1/20

# RESIGLAS Storage

## INSTALLATION INSTRUCTIONS

### FIBREGLASS WATER TANKS

475A | 730A | 1100A | 1300B | 2060B



#### IMPORTANT

Please note that the 10 years warranty will be void if the water tank is not installed in accordance with our installation instructions.

**For more info, Call us on 2433406.**

#### REQUIREMENTS

- The above water tanks should be installed on an adequate surface or platform so that the bottom of the tank is fully supported.
- The platform or surface should be smooth, free from any debris, level and strong enough to support the weight of the tank when full of water. (See weights in table below).
- The platform or surface may be in concrete (such as on a level concrete roof slab) or a galvanised metallic platform or any other suitable surface.

(See size in table below).

Capacity (LTS)	Model	Approx. weight of tank when full with water (KG)	Platform Size (mm)
475	A	500	1800 (L) x 600 (W)
730	A	764	1800 (L) x 700 (W)
1100	A	1148	2000 (L) x 800 (W)
1300	B	1362	2000 (L) x 800 (W)
2060	B	2146	2200 (L) x 800 (W)

#### FIXATION

The tank should be secured to the roof of platform using the fixing device supplied with the tank. (Refer to photograph below)



#### UNDERGROUND INSTALLATION (Option)

Please note that although a fibreglass water tank (with underground option) may be installed underground, the tank does not carry our 10 years guarantee. This is due to unforeseen circumstances which may arise in underground installation such as excess load near installation or high water table/flooding. Before proceeding with an underground installation make sure that the tank purchased have the underground option. The tank should not be installed in driveways and areas where heavy load may occur. The tank should be installed in a horizontal position and levelled as per the following :-

- On a rock sand bed of 200mm thickness which should be levelled and compacted. Spaces between the tank and wall faces of the hole should be backfilled with rock sand (200mm thickness minimum)  
or
- On a level reinforced concrete base of suitable thickness for the weight of the tank full with water (Refer to table above). Spaces between the tank and wall faces of the hole should be backfilled with rock sand (200mm thickness minimum)  
or
- On a level reinforced concrete base as above but with a concrete block wall and a roof slab with manhole.