

BADU®Galaxy

Self-priming circulation pumps
Selfvoervoersirkulasiepompe



The **BADU®Galaxy** all-plastic, self-priming pool pump range offers commercial pool pump quality for residential pools. The pump has been German engineered to ensure durability, superior performance, and quiet operation.

Speck Pumps continues to set standards for the future by using 100% recyclable plastic which is environmentally friendly. The pump can be installed 3m above or below water level. The pump must be installed on a flat surface that would not flood in heavy rain.

Die reeks **BADU®Galaxy** suiwer plastiek selfvoervoerswembadpompe bied die gehalte van kommersiële swembadpompe maar vir residensiële gebruik. Die pomp is Duits-ontwerp en -gebou om bestendige, superieure werkverrigting en stil werking te verseker.

Speck Pumps gaan voort om standaarde vir die toekoms te stel deur 100% herwinbare, omgewingsvriendelike plastiek te gebruik. Die pomp kan maksimum 3m bo of onder die watervlak geïnstalleer word. Dit moet op 'n gelyk oppervlak geïnstalleer word waar dit nie in swaar reën sal oorstroom nie.

FEATURES

- Extra large leaf strainer basket for less frequent maintenance.
- A choice of union fittings available as an optional extra.
- Plastic components are 100% recyclable.
- Total electric separation.
- Temperature stability up to 60°C.
- Fully factory tested.
- New 2 part easy screw on/off lid.
- Self-priming capabilities for extremely fast priming.
- Available in three sizes to suit all pool applications.
- Stainless steel shaft.
- 48 month ex-factory warranty under normal operating conditions from date of purchase.

EIENSKAPPE

- Ekstra groot blaarfiltreermandjie beteken dit hoef minder gereeld skoongemaak te word.
- 'n Keuse van moerkoppelings is beskikbaar as 'n opsionele ekstra.
- Plastiekkomponente is 100% herwinbaar.
- Totale elektriese skeiding.
- Stabiele werkverrigting in temperature van tot 60°C.
- Volledig fabriek-getoets.
- Nuwe tweedelige deksel wat maklik aan- en afskroef.
- Selfvoervoerfunksie vir vinnige voorvoering.
- Beskikbaar in drie grootte vir verskillende swembadaanwendings.
- Vlekvrye staal-as.
- 48 maande fabriekswaarborg onder normale werktoestande vanaf datum van aankoop.

Code / Kode	Description / Beskrywing	Voltage / Spanningstrek	Power output P2 / Kraglewering P2
219.0160.038	BADU®Galaxy 16	1~230V	0.75kW
219.0190.038	BADU®Galaxy 19	1~230V	1.10kW
219.0230.038	BADU®Galaxy 23	1~230V	1.50kW

Technical data / Tegniese data		BADU®Galaxy 16	BADU®Galaxy 19	BADU®Galaxy 23
Inlet / outlet connection (Rp) ²		63/63 or 50/50	63/63	63/63
Rec. inlet / outlet pipe, PVC-pipe, d ⁴ *		63/63	63/63	63/63
Power input P ₁ (kW)	1~230V	1.10	1.50	2.10
Power output P ₂ (kW)	1~230V	0.75 ¹⁾	1.10 ¹⁾	1.50 ¹⁾
Rated current (A)	1~230V	4.80	6.30	9.50

*Refer to Foot notes and Abbreviations on page 82.

*Verwys na die Voetnote en Afkortings op bladsy 82.

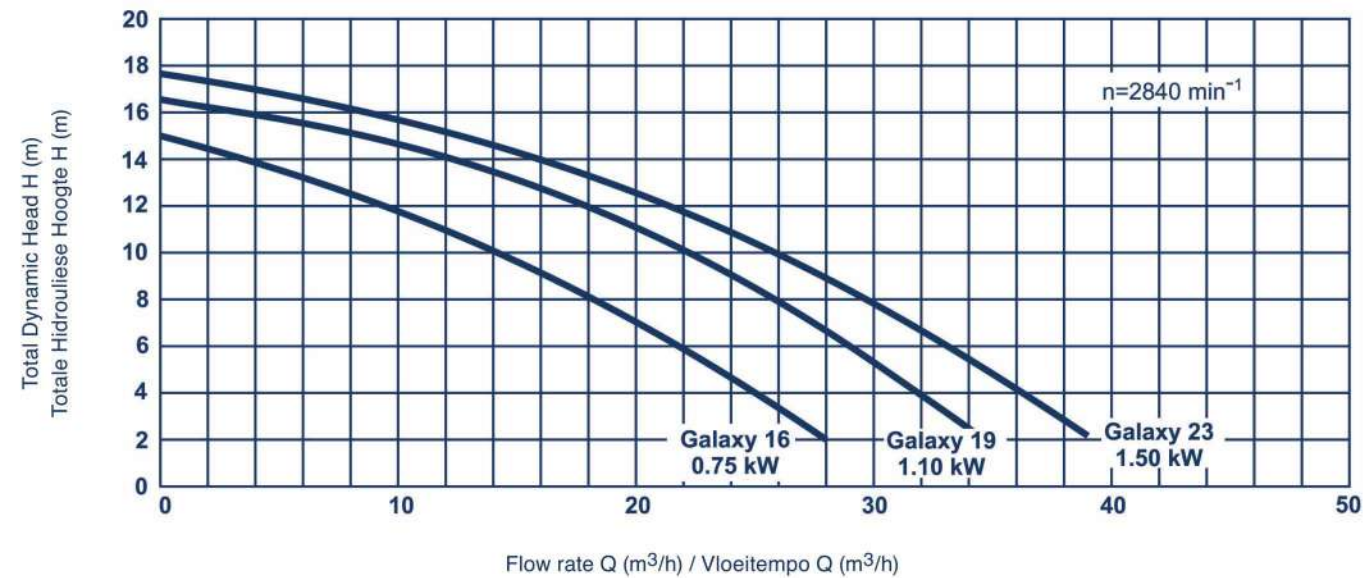
Motor speed approx. (rpm)	2840
Max. Water temperature (°C)	60
Max. Casing pressure (bar)	2.5

Motorspoed ongeveer (r.p.m.)	2840
Maks. Watertemperatuur (°C)	60
Maks. Omhulsedruk (bar)	2.5

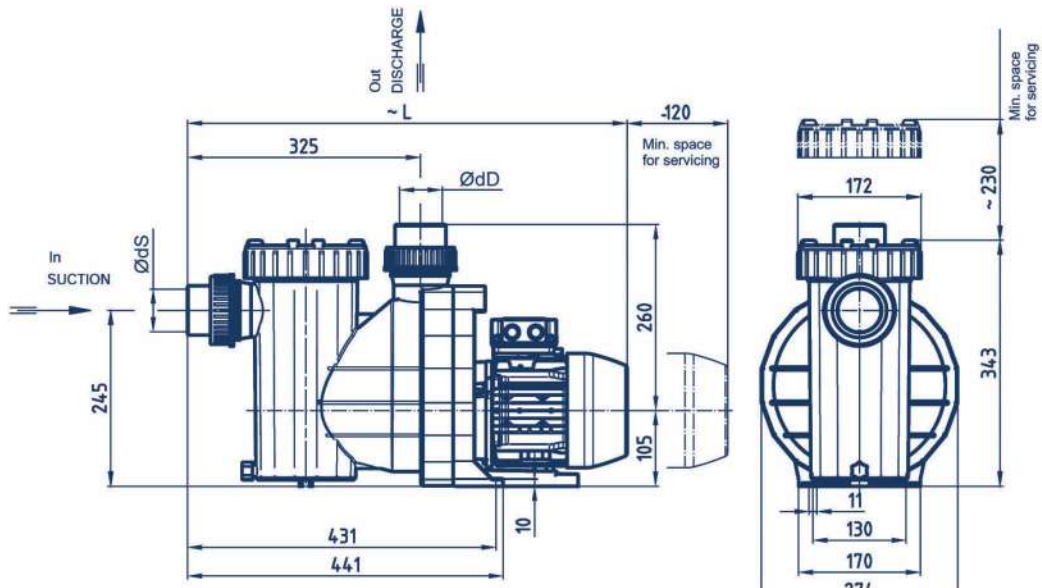
BADU®Galaxy

Self-priming circulation pumps

Selfvoervoersirkulasiepompe



DIMENSIONAL DRAWING / DIMENSIONELE SKETS



BADU®Galaxy range dimension table (mm) / BADU®Galaxy-afmetingstabel (mm)

Type / Model	Height / Hoogte	Length / Lengte	Width / Breedte	Inlet / Inlaat	Outlet / Uitlaat	Weight / Gewig
BADU®Galaxy 16	365	586	274	63/50	63/50	12.50kg
BADU®Galaxy 19	365	611	274	63	63	15.46kg
BADU®Galaxy 23	365	618	274	63	63	17.78kg

Flow rate (Q) in L/h and L/minute

Vloeitempo (Q) in L/h en L/min.

5m ³ /h ≈	5 000L/h ≈	83 L/minute
10m ³ /h ≈	10 000L/h ≈	167 L/minute
15m ³ /h ≈	15 000L/h ≈	250 L/minute
20m ³ /h ≈	20 000L/h ≈	333 L/minute
25m ³ /h ≈	25 000L/h ≈	417 L/minute
30m ³ /h ≈	30 000L/h ≈	500 L/minute
35m ³ /h ≈	35 000L/h ≈	583 L/minute
40m ³ /h ≈	40 000L/h ≈	667 L/minute

Pool/Pond size equipment recommendations

Toerusting aanbeveel volgens swembadgrootte

Pool / Swembadgrootte	Pump / Pomp	Filter / Filter
50 000 to 85 000 lit	0.75 kW	3 Bag
80 000 to 150 000 lit	1.10 kW	4 Bag or Jumbo
140 000 to 190 000 lit	1.50 kW	Jumbo